

ERP15-35UX

1,500kg / 1,800kg / 2,000kg /
2,500kg / 3,000kg / 3,500kg

Electric forklift trucks



- Ergonomically designed operator compartment
- Easy to maintain and service
- High visibility masts and optional integral side shift
- Highly responsive steering optimises manoeuvrability

VDI 2198 - General Specifications

			Yale	Yale	Yale
Distinguishing mark	1.1	Manufacturer (abbreviation)		Yale	Yale
	1.2	Manufacturer's type designation		ERP15UX	ERP18UX
	1.3	Drive: electric (battery or mains), diesel, petrol, fuel gas		Electric (battery)	Electric (battery)
	1.4	Operator type: hand, pedestrian, standing, seated, order-pickier		Seated	Seated
	1.5	Rated capacity/rated load	Q (t)	1.5	1.8
	1.6	Load centre distance	c (mm)	500	500
	1.8	Load distance, centre of drive axle to fork	x (mm)	410	410
	1.9	Wheelbase	y (mm)	1380	1380
	1.9	Wheelbase	y (mm)	1380	1380
Weights	2.1	Service weight	kg	3030	3310
	2.2	Axle loading, laden front/rear	kg	3940 / 590	4594 / 625
	2.3	Axle loading, unladen front/rear	kg	1490 / 1590	1431 / 1878
Tyres/chassis	3.1	Tyres: P=pneumatic, C=cushion, SE=superelastic		SE	SE
	3.2	Tyre size, front		6.00-9	21 x 8-9
	3.3	Tyre size, rear		5.00-8	18 x 7-8
	3.5	Wheels, number front/rear (x = driven wheels)		2x / 2	2x / 2
	3.6	Tread, front	b ₁₀ (mm)	955	955
	3.7	Tread, rear	b ₁₁ (mm)	920	920
	3.7	Tread, rear	b ₁₁ (mm)	920	920
Dimensions	4.1	Tilt of mast/fork carriage forward/backward	α / β (°)	5 / 10	5 / 10
	4.2	Height, mast lowered	h ₁ (mm)	2000	2000
	4.3	Free lift ▼	h ₂ (mm)	135	135
	4.4	Lift ▼	h ₃ (mm)	3000	3000
	4.5	Height, mast extended +	h ₄ (mm)	3980	3980
	4.7	Height of overhead guard (cabin) ○	(mm)	2155	2155
	4.8	Seat height relating to SIP/stand height ✕	h ₇ (mm)	1080	1080
	4.12	Coupling height	h ₁₀ (mm)	290	290
	4.19	Overall length	l ₁ (mm)	3026	3026
	4.20	Length to face of forks	l ₂ (mm)	2106	2106
	4.21	Overall width	b ₁ / b ₂ (mm)	1120	1120
	4.22	Fork dimensions ISO 2331	s/e/l (mm)	35 / 100 / 920	35 / 100 / 920
	4.23	Fork carriage ISO 2328, class/type A, B		ISO2328 2A	ISO2328 2A
	4.24	Fork carriage width +	b ₃ (mm)	1040	1040
	4.25	Distance between fork-arms	b ₅ (mm)	200 / 890	200 / 890
	4.31	Ground clearance, laden, below mast	m ₁ (mm)	95	95
4.32	Ground clearance at centre of wheelbase	m ₂ (mm)	105	105	
4.34.1	Aisle width for pallets 1000 × 1200 crossways	A _{st} (mm)	3580	3580	
4.34.2	Aisle width for pallets 800 × 1200 lengthways	A _{st} (mm)	3780	3780	
4.35	Turning radius	W _a (mm)	1970	1970	
4.36	Internal turning radius	b ₁₃ (mm)	703	703	
Performance data	5.1	Travel speed, laden/unladen	km/h	15 / 15.7	14.8 / 15.7
	5.2	Lift speed, laden/unladen	m/s	370 / 512	315 / 512
	5.3	Lowering speed, laden/unladen	m/s	400 / 502	390 / 502
	5.5	Drawbar pull, laden/unladen	N	NA	NA
	5.6	Max. drawbar pull, laden/unladen, 5 minute rating	N	NA	NA
	5.6.1	Max. drawbar pull, laden/unladen, 3 minute rating	N	10800 / 8700	10800 / 8700
	5.7	Gradeability, laden/unladen	%	NA	NA
	5.8	Max. gradeability, laden/unladen, 5 minute rating	%	NA	NA
	5.8.1	Max. gradeability, laden/unladen, 3 minute rating	%	16 / 23	15 / 22
	5.9	Acceleration time, laden/unladen 10m	s	5.12 / 4.75	5.25 / 4.75
5.9.1	Acceleration time, laden/unladen 15m	s	6.82 / 5.88	6.91 / 5.88	
5.10	Service brake		Hydraulic	Hydraulic	
Electric-engine	6.1	Drive motor rating S2 60 min	kW	6.5	6.5
	6.2	Lift motor rating at S3 15%	kW	8.6	8.6
	6.3	Battery according to DIN 43531 / 35 / 36 A, B, C, no		no	no
	6.4	Battery voltage/nominal capacity K5	(V)/(ah)	48 / 420	48 / 420
	6.5	Battery weight	kg	720	720
	6.6	Battery dimensions	l/w/h (mm)	980 / 468 / 680	980 / 468 / 680
6.6	Energy consumption according to VDI cycle	kWh/h @No. of Cycles	4.15	4.35	
8.1	Type of drive unit		AC	AC	
	Manufacturer		CURTIS	CURTIS	
Addition data	10.1	Operating pressure for attachments *	bar	138	180
	10.2	Oil volume for attachments	l/min	38	38
	10.3	Hydraulic oil tank, capacity	l	70.4	70.4
	10.7	Sound pressure level at the driver's seat LPAZ ★	dB(A)	Ø30 Pin	Ø30 Pin
	10.8	Towing coupling, type DIN		25	25
		Number of steering rotation		3.6	3.6
		Turn over	t/h	96	120
	Steering force	N	7	7	

★ LPAZ, measured according to the test cycles and based on the weighting values contained in EN12053 ○ h6 subject to +/- 5mm tolerance. * Variable

▼ Bottom of forks
✕ Full suspension seat specified
+ Without load backrest.

Spec sheet truck based on VDI 2198, with the following configuration:
Complete truck with 3000mm 2-stage limited free lift mast, standard carriage and 1000mm forks, overhead guard and standard superelastic drive and steer tyres.

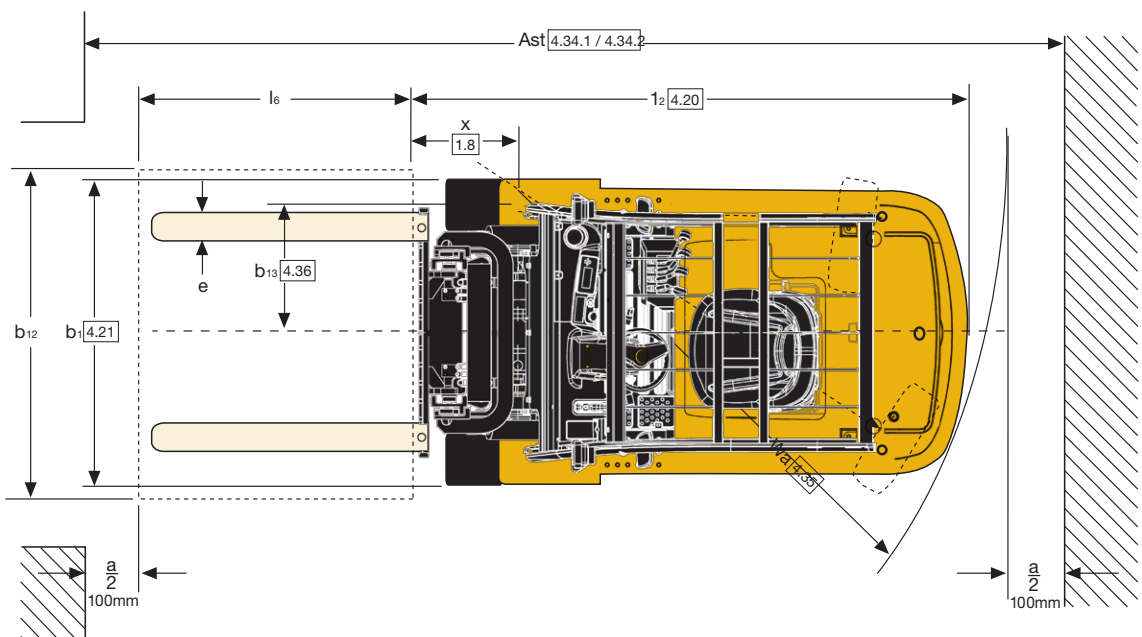
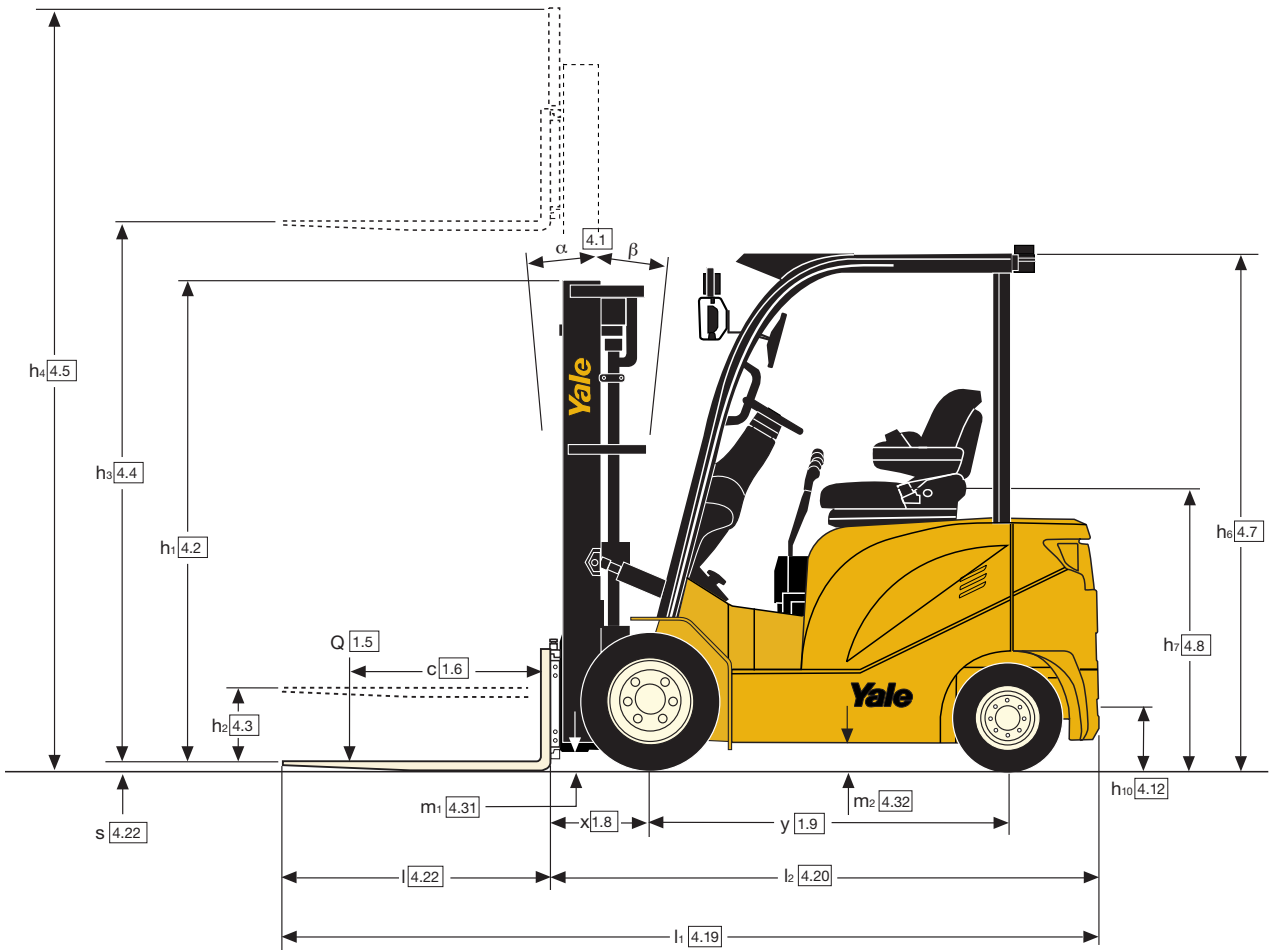
All values are nominal values and they are subject to tolerances. For further information, please contact the manufacturer.
Yale products might be subject to change without notice.

Yale	Yale	Yale		Manufacturer (abbreviation)	1.1	Distinguishing mark
ERP25UX	ERP30UX	ERP35UX		Manufacturer's type designation	1.2	
Electric (battery)	Electric (battery)	Electric (battery)		Drive: electric (battery or mains), diesel, petrol, fuel gas	1.3	
Seated	Seated	Seated		Operator type: hand, pedestrian, standing, seated, order-picker	1.4	
2.5	3.0	3.5	Q (t)	Rated capacity/rated load	1.5	Weights
500	500	500	c (mm)	Load centre distance	1.6	
454	475	495.5	x (mm)	Load distance, centre of drive axle to fork	1.8	
1485	1670	1690	y (mm)	Wheelbase	1.9	
4226	4910	5310	kg	Service weight	2.1	Weights
5720 / 1006	6830 / 970	7956/ 894	kg	Axle loading, laden front/rear	2.2	
1748 / 2478	2220 / 2700	2294 / 3015	kg	Axle loading, unladen front/rear	2.3	
SE	SE	SE		Tyres: P=pneumatic, C=cushion, SE=superelastic	3.1	Tyres/chassis
23 x 9-10	23 x 9-10	23 x 10-12		Tyre size, front	3.2	
18 x 7-8	18 x 7-8	200 / 50-10		Tyre size, rear	3.3	
2x / 2	2x / 2	2x / 2		Wheels, number front/rear (x = driven wheels)	3.5	
1058	1065	1124	b ₁₀ (mm)	Tread, front	3.6	
960	980	1010	b ₁₁ (mm)	Tread, rear	3.7	
5 / 10	5 / 10	5 / 10	α / β (°)	Tilt of mast/fork carriage forward/backward	4.1	
2015	2045	2120	h ₁ (mm)	Height, mast lowered	4.2	
140	165	165	h ₂ (mm)	Free lift ▼	4.3	
3000	3000	3000	h ₃ (mm)	Lift ▼	4.4	
3980	3980	3980	h ₄ (mm)	Height, mast extended +	4.5	
2152	2152	2138	(mm)	Height of overhead guard (cabin) ○	4.7	
1080	1080	1080	h ₇ (mm)	Seat height relating to SIP/stand height ✕	4.8	
250	270	270	h ₁₀ (mm)	Coupling height	4.12	
3387	3614	3759	l ₁ (mm)	Overall length	4.19	
2317	2544	2689	l ₂ (mm)	Length to face of forks	4.20	
1285	1285	1365	b ₁ / b ₂ (mm)	Overall width (®)	4.21	
40 / 122 / 1070	45 / 122 / 1070	50 / 122 / 1070	s/e/l (mm)	Fork dimensions ISO 2331	4.22	
ISO2328 2A	ISO2328 3A	ISO2328 3A		Fork carriage ISO 2328, class/type A, B	4.23	
1040	1100	1100	b ₃ (mm)	Fork carriage width +	4.24	
250 / 1000	290 / 1060	290 / 1060	b ₅ (mm)	Distance between fork-arms	4.25	
65	65	80	m ₁ (mm)	Ground clearance, laden, below mast	4.31	
95	110	83	m ₂ (mm)	Ground clearance at centre of wheelbase (°)	4.32	
3879	4025	4101	A _{st} (mm)	Aisle width for pallets 1000 × 1200 crossways	4.34.1	
4009	4225	4301	A _{st} (mm)	Aisle width for pallets 800 × 1200 lengthways	4.34.2	
2155	2349	2405	W _a (mm)	Turning radius	4.35	
599	830	815	b ₁₃ (mm)	Internal turning radius	4.36	
14.9 / 15.7	15 / 16	15 / 16	km/h	Travel speed, laden/unladen	5.1	Performance data
307 / 500	385 / 500	282 / 500	m/s	Lift speed, laden/unladen	5.2	
405 / 415	420 / 475	400 / 355	m/s	Lowering speed, laden/unladen	5.3	
NA	NA	NA	N	Drawbar pull, laden/unladen	5.5	
NA	NA	NA	N	Max. drawbar pull, laden/unladen, 5 minute rating	5.6	
14400 / 10500	21000 / 11500	21000 / 11500	N	Max. drawbar pull, laden/unladen, 3 minute rating	5.6.1	
NA	NA	NA	%	Gradeability, laden/unladen ****	5.7	
NA	NA	NA	%	Max. gradeability, laden/unladen, 5 minute rating	5.8	
18 / 22	20 / 23	15 / 22	%	Max. gradeability, laden/unladen, 3 minute rating	5.8.1	
5.25 / 4.78	5.05 / 4.86	5.62 / 5.32	s	Acceleration time, laden/unladen 10m	5.9	
6.63 / 6.24	6.45 / 6.27	7.01 / 6.83	s	Acceleration time, laden/unladen 15m	5.9.1	
Hydraulic	Hydraulic	Hydraulic		Service brake	5.10	Electric-engine
8.5	11.5	11.5	kW	Drive motor rating S2 60 min	6.1	
11	15	15	kW	Lift motor rating at S3 15%	6.2	
no	no	no		Battery according to DIN 43531 / 35 / 36 A, B, C, no	6.3	
48 / 600	80 / 500	80 / 500	(V)/(ah)	Battery voltage/nominal capacity K5	6.4	
970	1422	1422	kg	Battery weight	6.5	
1028* 500* 780	1028 / 683 / 780	1028 / 683 / 780	l/w/h (mm)	Battery dimensions	6.6	
6.13	6.32	6.9	kWh/h @No. of Cycles	Energy consumption according to VDI cycle	6.6	
AC	AC	AC		Type of drive unit	8.1	Addition data
Curtis	CURTIS	CURTIS		Manufacturer	8.2	
180	180	180	bar	Operating pressure for attachments*	10.1	
38	38	38	l/min	Oil volume for attachments	10.2	
67.9	70	70	l	Hydraulic oil tank, capacity	10.3	
Ø30	Ø30 Pin	Ø30 Pin	dB(A)	Sound pressure level at the driver's seat LPAZ ★	10.7	
30	40	40		Towing coupling, type DIN	10.8	
3.9	3.8	3.8		Number of steering rotation		
156	180	195	t/h	Turn over		
6.5	8	8	N	Steering force		

Lift trucks illustrated may feature optional equipment.
Values may vary with alternative configurations.

Truck Dimensions

$$Ast = Wa + R + a = Wa + \sqrt{((l_6 + x)^2 + (b_{12} / 2 - b_{13})^2)} + a$$



ERP15UX, ERP18UX mast details and capacity ratings (kg) - Superelastic tyres

Mast type	Mast specification	Max. fork lift	Overall Extended Height						Free Lift		Load Distance		Mast Tilt		Loading	
			Lowered height		Lift Height				Without LBR	With LBR	15UX	18UX	F	B	Load center (500mm)	
					Without LBR		With LBR								15UX	18UX
			(mm)	(mm)	15UX	18UX	15UX	18UX	15UX	18UX	(mm)	(mm)	deg.	deg.	15UX (kg)	18UX (kg)
2 Stage LFL	330	3300	2140	2140	4284	4284	3813	3813	135	135	421	421	5	10	1500	1800
	350	3500	2240	2240	4484	4484	4013	4013	135	135	421	421	5	10	1500	1800
	400	4000	2540	2540	4984	4984	4513	4513	1350	1350	421	421	5	10	1400	1700
3 Stage FFL	450	4500	2040	2040	5484	5484	5013	5013	1470	1080	410	410	5	6	1200	1400
	480	4800	2140	2140	5784	5784	5313	5313	1570	1180	410	410	5	6	1100	1200
	550	5500	2405	2405	6484	6484	6013	6013	1835	1445	410	410	3	6	750	850
	600	6000	2590	2590	6984	6984	6513	6513	2040	1650	410	410	3	6	450	550

ERP20UX, ERP25UX mast details and capacity ratings (kg) - Superelastic tyres

Mast type	Mast specification	Max. fork lift	Overall Extended Height						Free Lift		Load Distance		Mast Tilt		Loading	
			Lowered height		Lift Height				Without LBR	With LBR	20UX	25UX	F	B	Load center (500mm)	
					Without LBR		With LBR								20UX	25UX
			(mm)	(mm)	20UX	25UX	20UX	25UX	20UX	25UX	(mm)	(mm)	deg.	deg.	20UX (kg)	25UX (kg)
2 Stage LFL	330	3300	2165	2165	3915	3915	4317	4317	140	140	454	454	5	10	2000	2500
	350	3500	2265	2265	4115	4115	4517	4517	140	140	454	454	5	10	2000	2500
	400	4000	2565	2565	4615	4615	5017	5017	140	140	454	454	5	10	2000	2500
3 Stage FFL	450	4500	2075	2075	5171	5171	5516	5516	1440	1040	490	490	5	6	1600	2000
	480	4800	2175	2175	5471	5471	5816	5816	1540	1140	490	490	5	6	1250	1700
	550	5500	2440	2440	6171	6171	6516	6516	1800	1400	490	490	3	6	900	1200
	600	6000	2625	2625	6671	6671	7016	7016	1990	1590	490	490	3	6	700	800

ERP30UX mast details and capacity ratings (kg) - Superelastic tyres

Mast type	Mast specification	Maximum fork lift	Overall Extended Height				Free Lift		Load Distance	Mast Tilt		Loading
			Lowered height	Lift Height		Without LBR	With LBR	F		B		
				Without LBR	With LBR				(mm)		(mm)	deg.
			(mm)	(mm)	(mm)	(mm)	(mm)	(mm)	(mm)	(mm)	deg.	deg.
2 Stage LFL	330	3300	2195	3940	4440	165	165	475	5	10	3000	
	350	3500	2295	4140	4640	165	165	475	5	10	3000	
	400	4000	2595	4640	5140	165	165	475	5	10	2850	
3 Stage FFL	450	4500	2095	5165	5640	1510	975	500	5	6	2500	
	480	4800	2195	5465	5940	1610	1075	500	5	6	2250	
	500	5500	2460	6165	6640	1865	1330	500	3	6	1600	
	600	6000	2645	6665	7140	2060	1525	500	3	6	1200	

ERP35UX mast details and capacity ratings (kg) - Superelastic tyres

Mast type	Mast specification	Maximum fork lift	Overall Extended Height				Free Lift		Load Distance	Mast Tilt		Loading
			Lowered height	Lift Height		Without LBR	With LBR	F		B		
				Without LBR	With LBR				(mm)		(mm)	deg.
			(mm)	(mm)	(mm)	(mm)	(mm)	(mm)	(mm)	(mm)	deg.	deg.
2 Stage LFL	330	3300	2195	4010	4440	170	170	505	5	10	3500	
	350	3500	2295	4210	4640	170	170	505	5	10	3500	
	400	4000	2595	4710	5140	170	170	505	5	10	3300	
3 Stage FFL	450	4500	2095	5250	5650	1510	975	522	5	6	2800	
	480	4800	2195	5550	5950	1610	1075	522	5	6	2500	
	500	5500	2460	6250	6650	1865	1330	522	3	6	1700	
	600	6000	2645	6750	7150	2060	1525	522	3	6	1300	

All values are nominal values and they are subject to tolerances. For further information, please contact the manufacturer.

Yale products might be subject to change without notice. Lift trucks illustrated may feature optional equipment.

Values may vary with alternative configurations.

ERP15-35UX

Models: ERP15UX, ERP18UX, ERP20UX, ERP25UX, ERP30UX, ERP35UX

Standard equipment

- **1.5 - 1.8t**
48V AC Technology: 8kW Drive and 8.6kW Hoist Motors
- **2.0 - 2.5t**
48V AC Technology: 11kW Drive and 8.6kW Hoist Motors
- **3.0 - 3.5t**
80V AC Technology: 15kW Drive and 10kW Hoist Motors
- Mast: 2-stage LFL 3300mm
- Carriage: 1040mm Class II or 1100mm Class II or III
- Forks: 1070 x 122 x 40mm Class II or 1070 x 122 x 45 / 50mm Class III
- Superelastic Tyres:
Drive - 6.00-9 (1.5t), 21x8-9 (1.8t), 23x9-10 (2.0-3.0t), 23x10-12 (3.5t)
Steer - 5.00-8 (1.5t-1.8t), 18x7-8 (2.0-3.0t), 200/50-10 (3.5t)
- Two Function Cowl Mounted Manual Lever - Lift / Tilt
- Forward / Reverse Directional Lever
- Manual Park Brake
- Full Suspension Seat (EU only; option in MEA)
Non-Suspension Seat (Vinyl) (MEA only)
- Steering Wheel with Spinning Knob
- Tilt Adjustable Steering Column
- Key Switch Start
- Entry Grab Handle
- Dash Display:
Battery level, Speed, LCD Hour Meter
- Mirrors
- Load Backrest
- Strobe Light (magnetically mounted)
- Audible Reverse Alarm
- LED Light Kit - 2 x Front Work, 2 x Front Turn, Rear Turn / Tail / Brake / Reverse
- Toolbox
- Towing Pin
- Operator Manual
- 12 Months / 2000 Hours Manufacturer's Warranty
- USB port

Optional equipment

- 2-stage LFL and 3-stage FFL Masts
- Carriages: 1200, 1500mm (Class II - III)
- Forks: 1220mm (Class II - III)
- Integral Sideshift
- Partial and full cab with/without heater
- Rear Work Light
- Dual Drive Wheels and Fender Extensions
- Pneumatic drive and steer tyres
- Rear/reversing handle

Visibility

The overhead guard has been designed to provide the operator with excellent all round visibility.

Hoses are routed to allow a clear view of the load and forks.

Operator Comfort

Operator compartment is ergonomically designed to offer a practical and comfortable working environment for the driver. A large step gives easy access.

An LCD display provides the driver with the necessary operating information at a glance.

Adjustable steering column has a 6° range for maximum comfort.

A standard overhead guard, partial or full cabins are all available to meet different customer requirements.

The full cab has steel doors and front and rear screens with wash/wipe function with heater options also available.

LED marker lights and work lights are offered as standard, which eliminates the cost of bulb replacement.

Rear drive handle with integrated horn button mounted on the right rear guard leg is available.

Electronics

AC Technology features brushless motors that are protected against the ingress of dirt and water, which minimises damage and servicing costs. Roll-back is almost eliminated and higher travel speeds are attainable.

The drive and hoist systems are fully adjustable to suit the application and more than 30 performance parameters can be adjusted to suit the type of load, operating environment and skill of the driver. In-built diagnostics record intermittent faults and service requirements, which help reduce expensive service time.

AC Controllers optimise battery power, particularly helpful on ramps and long runs as well as high lifts.

The truck is available with 48V and 80V batteries with 420-600Ah capacity.

Manoeuvrability

Highly responsive steering optimises manoeuvrability in confined spaces. Proven transmission provides smooth movement and changes of direction.

Dimensions of the truck ensure effective operation in most aisles without sacrificing driver comfort and visibility.

Load Handling

The robustly constructed mast provides optimal visibility with the auxiliary hoses centred on the free lift cylinder to eliminate hose twisting.

Positive hose retention and large radius bends are employed to minimise hose scuffing, maximising life.

Masts are offered with a tilt option, the tilt cylinder anchors are widely spaced to increase lateral stiffness and visibility.

A range of Class II and Class III LFL and FFL masts are available along with carriages including integrated side shift carriages to make load handling easy and convenient.

Hydraulic control

The ergonomically positioned control levers provide precise control, available with 2 and 3 function hydraulics.

Optional integral side shift carriage assists precise load handling.

Reliability

The truck has a durable construction with a one piece welded frame.

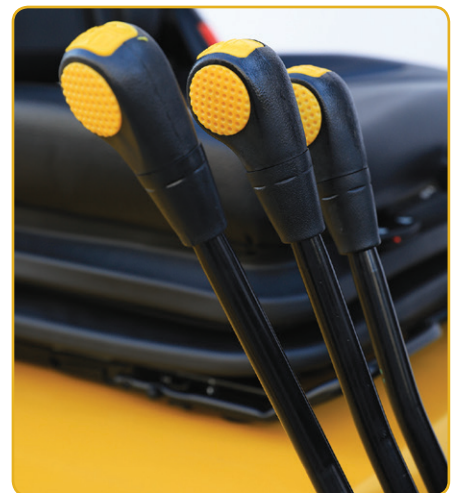
Mast tilt cylinders are sealed to minimize contamination.

Optimum performance and a long working life is ensured by using high-quality components.

Serviceability

Yale trucks are backed up by a 2000 hour warranty and comprehensive parts availability and are easy to maintain and service.

Access to the key components and daily checks is easy thanks to the 70° hood opening, held open with a locked gas spring.



Batteries

Truck capacity	Battery	Connector
1.5-1.8t	420Ah 160 amp	DIN connector
2.0-2.5t	600Ah 320 amp	DIN connector
3.0-3.5t	500Ah 320 amp	DIN connector

ERP15-35UX

Models: ERP15UX, ERP18UX, ERP20UX, ERP25UX, ERP30UX, ERP35UX





Yale Europe Materials Handling

Centennial House
Frimley Business Park
Frimley, Surrey GU16 7SG
United Kingdom

Tel: +44 (0) 1276 538500
Fax: +44 (0) 1276 538559

www.yale.com

Publication part no. 220990941 Rev.00 Printed in The Netherlands (0320HG) EN.
HYSTER-YALE UK LIMITED trading as Yale Europe Materials Handling.
Specification is subject to change without notice. Yale, VERACITOR and  are registered trademarks. "PEOPLE, PRODUCTS, PRODUCTIVITY", PREMIER, Hi-Vis, and CSS are trademarks in the United States and certain other jurisdictions. MATERIALS HANDLING CENTRAL and MATERIAL HANDLING CENTRAL are Service Marks in the United States and certain other jurisdictions.  is a Registered Copyright. ©Yale Europe Materials Handling 2020. All rights reserved. Truck shown with optional equipment. Country of Registration: England and Wales. Company Registration Number: 02636775

